

# Achios-X Observer

● EAX-1135-PLI

## HIGHLIGHTS

- Extra Wide field WF 10x/22 mm, Ø 30 mm
- Revolving quintuple or sextuple reversed nosepiece
- Infinity corrected 60 mm achromatic Plan, Plan Phase or Plan Semi-Apochromatic EIS objectives
- Low positioned stage adjustment knobs
- Adjustable color temperature with 3 W NeoLED
- Smart Light Control (SLC)



**EAX-1153-PLI**  
431 (h) x 257 (w) x 354 mm (d) | 11.2 kg

## TECHNICAL SPECIFICATIONS

### EYEPIECES

- EWF 10x/22 mm eyepiece, with diopter adjustment
- EWF 10x/25 mm eyepiece, with diopter adjustment (optional)

### HEADS

- Standard Siedentopf trinocular with 30° inclined tubes
- Ergonomic tilting head (0° - 35°) (optional)
- Face-to-face dual head (optional)
- Multi-head systems with 2, 3 or 5 heads (optional)

### OBJECTIVES - 60 MM PARFOCAL

The Achios-X observer comes with

- Infinity corrected achromatic Plan EIS objectives\*
- Infinity corrected achromatic Plan Phase EIS objectives\*
- Infinity corrected achromatic Plan Semi-Apochromatic EIS objectives\*

\*M25 mounting thread

### STAGE

The Achios-X Observer comes complete with a generously sized, hard coated, rackless mechanical stage, meticulously designed for enhanced safety. Free from any sharp edges protruding from the microscope's sides, this stage ensures a secure and worry-free experience. Suitable for two slides and allows single handed placement of slides

Measurements:

- Stage 230x150 mm X-Y
- mechanical stage 78 x 54 mm

### FOCUSING

Coarse 37.7 mm per rotation, fine 0.2mm per rotation.

Division 0.002 mm, range 30 mm

### CONDENSERS

Depending the configuration, the Achios-X Observer is supplied with

- Standard Abbe condenser
- Zernike phase condenser includes telescope and green filter
- Swing-out Abbe condenser
- Darkfield condenser (dry)
- Darkfield condenser (oil)

### ILLUMINATION

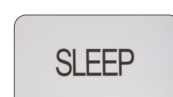
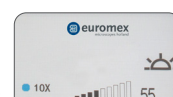
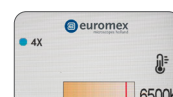
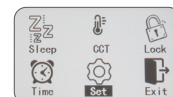
The Köhler illumination of the Achios-X Observer provides the most uniformly illuminated and bright field of view

### NOSEPIECE

Experience the ease of an intuitive quintuple or an optional sextuple nosepiece on ball- bearings, equipped with gripped ring for effortless and precise rotation

### LIGHT AND COLOR TEMPERATURE CONTROL

The Achios-X Observer introduces Smart Light Control. This intelligent function memorizes the light intensity level for each objective. The color temperature of the NeoLED light source can be adjusted and stored. This innovation not only heightens comfort but also saves valuable time during routine magnification shifts. The eco-friendly NeoLED light source is both environmentally conscious and built to endure



### CSS – CABLE STORAGE SYSTEM

Allows users to easily stow away excess cable length into the back of the instrument during operation and to roll up the power cable for easy storage

### CARRYING GRIP

The integrated carrying grip at the back of the microscope ensures safe transportation of the microscope

### NEOLED

The innovative NeoLED™ design is a combination of a custom LED and a specially designed thin lens with a short focal length in order to obtain four main benefits:

- More oblique light from the NeoLED™ light source can be captured, which increases the light output significantly
- Less energy is required to achieve this level of light intensity
- The larger aperture of NeoLED™ allows the optical system of the microscope to produce images at higher resolutions, very close to the theoretical diffraction limit of the optics
- Super long life span, up to 50.000 hrs nominal, L70 norm

### PACKAGING

Supplied with power cord, dust cover, screwdriver, user manual and 5 ml immersion oil for models supplied with a 100x objective

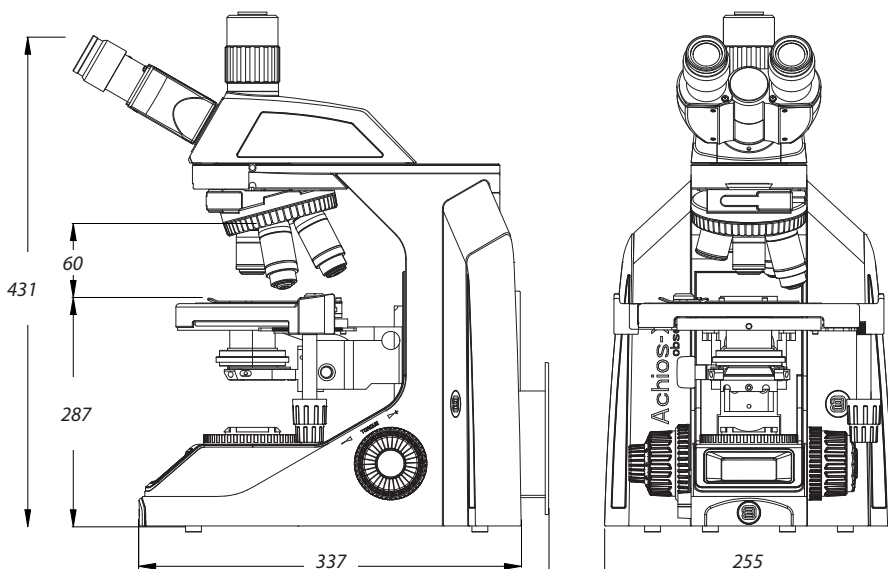
MODELS	Bino	Trino	Ergo	eyepieces EW 10x/22 mm	Plan objectives 4/10/40 IOS	Plan objective 100x (oil) IOS	Plan Semi-Apo objectives 4/10/40 IOS	Plan Semi-Apo objective 100x (oil) IOS	Plan Phase objectives 10/20/40/100x (oil) IOS
EAX-1052-PLi	•			•	•				
EAX-1053-PLi		•		•	•				
EAX-1152-PLi	•			•	•	•			
EAX-1153-PLi		•		•	•	•			
EAX-1158-PLi			•	•	•	•			
EAX-1052-APLi	•			•			•		
EAX-1053-APLi		•		•			•		
EAX-1152-APLi	•			•			•	•	
EAX-1153-APLi		•		•			•	•	
EAX-1158-APLi			•	•			•	•	
EAX-1152-PLPHi	•			•					•
EAX-1153-PLPHi		•		•					•
EAX-1158-PLPHi			•	•					•

Sixtuple nosepiece is also available

Some models are also available as in vitro diagnostic medical devices class A - (EU) 2017/746

Contact your Euromex dealer

### DIMENSIONS



## ACCESSORIES AND SPARE PARTS

### EYEPIECE (Ø 30 MM TUBE)

- EAX-6010** EWF 10x/22 mm eyepiece for Achios-X observer.  
With dioptrie adjustment
- EAX-6410** EWF 10x/25 mm eyepiece for Achios-X observer.  
With dioptrie adjustment

### OBJECTIVES

#### *Plan infinity corrected PLi, EIS 60 mm parfocal\**

- EAX-7204** 4x/0.10 PLi objective. WD 30 mm
- EAX-7210** 10x/0.25 PLi objective. WD 10.2 mm
- EAX-7220** 20x/0.40 PLi objective. WD 10.2 mm
- EAX-7240** S40x/0.65 PLi objective. WD 1.5 mm
- EDX-7250** S50x/0.95 PLi oil objective. WD 0.19 mm
- EAX-7260** S60x/0.80 PLi objective. WD 1.5 mm
- EAX-7200** S100x/1.25 oil-immersion PLi objective. WD 0.3 mm

#### *Plan Semi-Apochromatic Fluarex infinity corrected*

#### *PL-SAFi, EIS 60 mm parfocal\**

- EAX-7304** 4x/0.15 PL-SAFi objective. WD 0.17 mm
- EAX-7310** 10x/0.3 PL-SAFi objective. WD 15.8 mm
- EAX-7320** 20x/0.5 PL-SAFi objective. WD 2.7 mm
- EAX-7340** S40x/0.75 PL-SAFi objective. WD 1.35
- EAX-7300** S100x/1.25 oil-immersion PL-SAFi objective. WD 0.18 mm

#### *Plan Phase infinity corrected PLPHi, EIS 60 mm parfocal\**

- EAX-7710** 10x/0.25 PLPHi objective. WD 10.2 mm
- EAX-7720** 20x/0.40 PLPHi objective. WD 13.4 mm
- EAX-7740** 40x/0.65 PLPHi objective. WD 0.7 mm
- EAX-7700** 100x/1.25 oil immersion PLPHi objective. WD 0.22 mm

WD = working distance

\* M25 mm thread

### HEADS

- EAX-5700-ADD** Ergonomical Siedentopf trinocular head with tilting tubes  
ADD-ON option for Achios-X observer. Only with the purchase  
of new microscopes Add the EAX-5700-ADD price to a Achios-X  
Observer model in order to have the prices of a configuration  
with ergo titling head and order the microscope as EAX-1158-  
xxxx / EAX-3158-xxxx
- EAX-5600-ADD** Face to Face attachment, 2 heads ADD-ON option for Achios-X  
Observer. Only available with the purchase of a new standard  
microscope
- EAX-5600** Face to Face attachment, 2 heads for Achios-X Observer
- EAX-5602-ADD** Multi head, 2 heads ADD-ON option. Only available with the  
purchase of a new standard microscope. Add the EAX-5602-  
ADD price to a Achios-X Observer model in order to have the  
prices of a configuration with ergo titling head and order the  
microscope as EAX-1158/2 or EAX-3158/2
- EAX-5602** Multi head 2 heads attachment

- EAX-5603-ADD** Multi head, 3 heads ADD-ON option. Only available with the  
purchase of a new standard microscope. Add the EAX-5603-  
ADD price to a Achios-X Observer model in order to have the  
prices of a configuration with ergo titling head and order the  
microscope as EAX-1158/3 or EAX-3158/3

- EAX-5603** Multi head 3 heads attachment

- EAX-5605-ADD** Multi head, 5 heads ADD-ON option. Only available with the  
purchase of a new standard microscope. Add the EAX-5605-  
ADD price to a Achios-X Observer model in order to have the  
prices of a configuration with ergo titling head and order the  
microscope as EAX-1158/5 or EAX-3158/5

- EAX-5605** Multi head 5 heads attachment

### CONDENSERS

- EAX-9100** Standard Abbe Condenser
- EAX-9105-ADD** Swing-out Abbe Condenser Add-on option. Only with new  
microscopes
- EAX-9105** Swing-out Abbe Condenser
- EAX-9110** Dark field condenser (Dry)
- EAX-9112** Dark field condenser (Oil)
- EAX-9126** Zernike phase contrast set. Includes Zernike phase condenser  
and PLPHi 10/20/S40/S100-oil immersion objectives, telescope  
and green filter

### CAMERA

- EAX-9850** C-mount adapter 0,5x

### MISCELLANEOUS

- EAX-9896-ADD** Nosepiece with 6 objectives ADD-ON option for Achios-X  
Observer. Only available with the purchase of a new microscope
- EDX-9501-R** Mechanical stage with Gorilla glass. Right handed
- EAX-9702** Green filter
- EAX-9148** Telescope
- EAX-9660** Simple polarization kit