

HD Mini color camera

with HDMI interface

VC.3023

HIGHLIGHTS

- High definition 1080P color camera
- Real time images directly on TV, monitor or beamer
- Stand-alone
- Built-in mouse controlled software
- C-mount interface
- HDMI and SD memory card

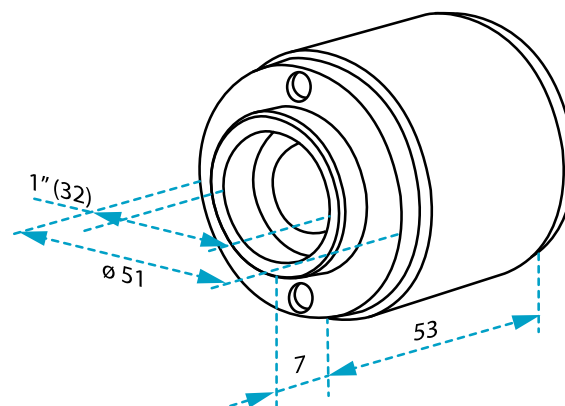


VC.3023



TECHNICAL SPECIFICATIONS

Sensor	HDMI 2.0 Mega pixels CMOS high sensitive sensor (Sony)
Format	1/2.8 inch, HDTV 1080p
Pixels	1920 x 1080 pixels (capture mode) 1920 x 1080 pixels (live mode) HDMI 60 fps
Scan mode	Progressive scan
Pixel size	2.9 x 2.9 µm
Noise	3D algorithm
Sensitivity	1300 mv/lux-sec
Color rendering	12 Bits
Signal/Noise (db)	42
Dynamic (db)	69
White balance	Automatic/manual/ROI
Interface	HDMI
Storage	Images are saved to a standard high speed 32 GB SD memory card (Recommend using SD card of class 4 or higher and ≤128 GB)
Mounting	C-mount interface
Power supply	DC 12V/ 1A adapter
Operation	-10~ 50 Celsius, 30~80%RH
Storage	-20~ 60 Celsius, 10~60%RH
Supplied with	HDMI cable, DC 12V/ 1A power supply, 32 GB SD Card, USB mouse, 0.5x c-mount adapter, 23.2~30.0/ 30.5mm adapter rings



ON SCREEN CONTROLS (NO NEED FOR COMPUTER)

- Capture images and video to SD
- Digital zoom in/out
- Mirror/Flip
- Freeze
- Cross line
- Embedded file browser
- Video playback
- Multiple language support
- Measurement
- Camera settings (white balance, color control etc)

Compatibility Suitable for all HDMI screens, monitors and beamers

Product number VC.3023

MODELS	Sensor	Pixel size (µm)	Resolution	Signal/Noise (db)	Sensitivity	Color rendering (bits)	Dynamic (db)	13 HD screen
VC.3023	1/2.8 inch	2.9 x 2.9 µm	1920 x 1080	42	1300 mv/lux-sec	12	69	--
VC.3024-HDS	1/2.8 inch	2.9 x 2.9 µm	1920 x 1080	42	1300 mv/lux-sec	12	69	•

