

# UltraZoom series

## STEREO MICROSCOPE

### HIGHLIGHTS

- Ergonomic tilting head from 0 to 30°
- Binocular 20° head
- Swiveling eyepiece tubes for two heights
- EWF 10x/23 mm eyepieces
- Plan-apo lens for superb imaging
- Fine and coarse focus controls
- Zoom Ratio: 1:18
- Magnification 7.5 to 135x
- Oblique Contrast Illumination
- Transmitted 8 W NeoLED™ illumination
- Fluorescence attachment available
- 10 years warranty



● EUZ-1808 (Ergo head)

### TECHNICAL SPECIFICATIONS

#### EYEPIECES

Pair of EWF 10x/23 mm eyepieces

#### HEAD

- Ergonomic 0-30° tilting head or binocular 20° head
- Diopter ± 5 adjustment on both eyepieces and interpupillary distance from 55 to 75 mm
- Both heads have a photo port with 1x c-mount for 1" cameras

#### CENTRAL ZOOM UNIT

Zoom ratio 1:18 for total magnifications from 0.75 to 13.5x

#### COMMON MAIN OBJECTIVE

As a standard supplied with a 1x plan apochromatic Common Main Objective, working distance 60 mm

*The objective has an anti-reflection coating for maximum light throughput and is anti-fungus treated*

#### STAND

- Large ergonomic stand with 180 mm object plate
- Oblique Contrast Illumination slider
- Coaxial coarse and fine adjustment
- Internal 100-240 Vac power supply

#### ILLUMINATION

Supplied with 8 W NeoLED™ transmitted and Oblique Contrast Illumination built-in 100-240 V power supply

EUZ-1803	469 (h) x 295 (w) x 365 mm (d)   12.6 kg
EUZ-1808	503 (h) x 295 (w) x 365 mm (d)   12.8 kg



● EUZ-1803 (Bino head with photo port)

### MAGNIFICATIONS

Objective with 60 mm working distance, standard outfit

Zoom indication	Total magnification	Field of view
0.75x	7.5x	3.07
1.0x	10x	2.3
2.0x	20x	1.15
3.0x	30x	0.77
6.0x	60x	0.38
10.0x	100x	0.23
13.5x	135x	0.17

### OBLIQUE CONTRAST ILLUMINATION

Oblique illumination enables the specimen to be illuminated from one side only (off-axis) by having the light source tilted or directed from an oblique angle or from the side. Only diffracted light on a single side is admitted to the objective and, because of the obliquity of illumination, diffracted light on the other side misses the objective altogether. As a result, details in pseudo-relief from an otherwise almost invisible colorless specimen are than revealed



● Oblique Contrast Illumination

### PACKAGE CONTENT

Supplied with power cord, dust cover, tools and user manual  
All packed in sturdy box

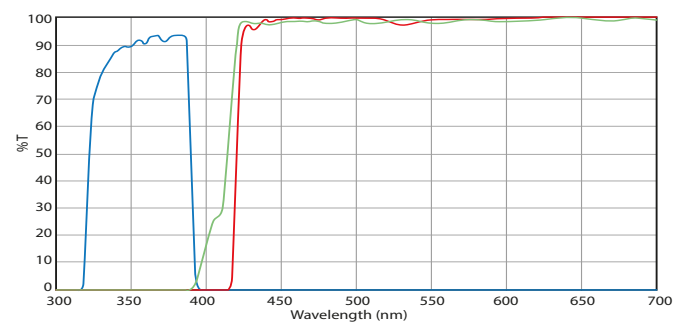
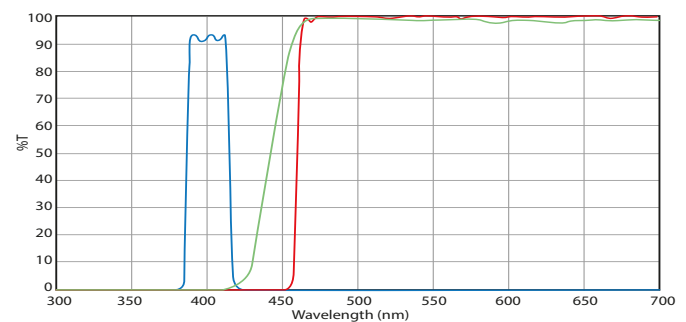
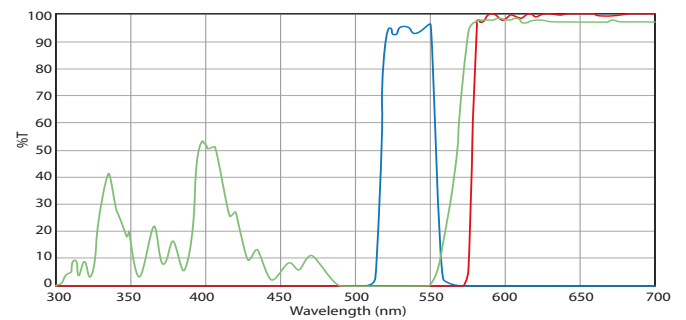
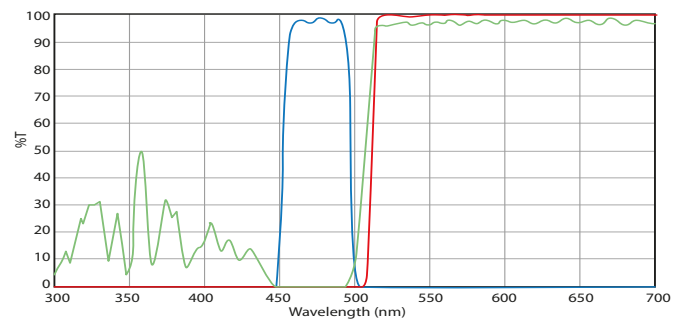
### FLUORESCENCE EUZ-9200 -NF

Epi-fluorescence attachment

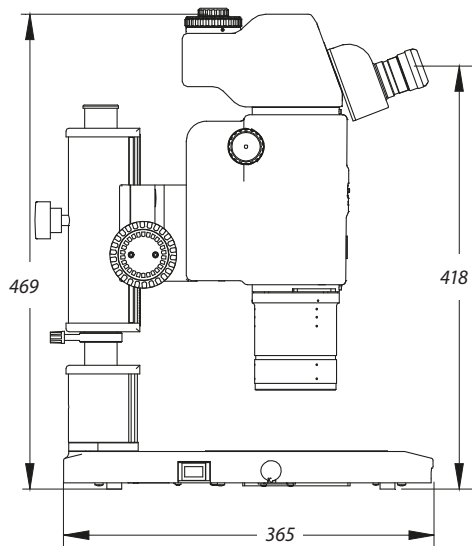
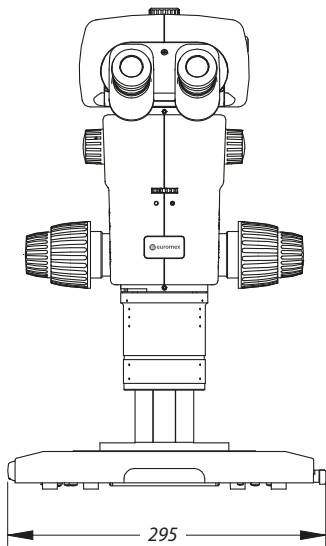
- With fiber light guide
- UV shield
- 4 LEDs for fluorescence light source
- Power supply
- Without filter sets and without filter blocks. Each installed filter set needs an empty block (EUZ-9749). Each position without filter set needs to be filled up with a UV.9749-BF1
- The attachment weighs 2 kg



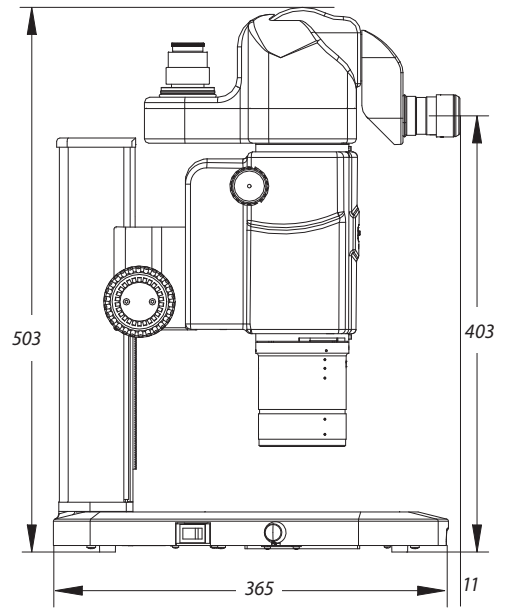
● EUZ-1803 in combination with the Epi-fluorescence attachment EUZ-9200-NF



DIMENSIONS



● EUZ-1803



● EUZ-1808

ACCESSORIES AND SPARE PARTS

- EUZ-6010** Eyepiece SWF 10x/23 mm (1 piece)
- EUZ-6010-C** Eyepiece SWF 10x/23 mm (1 piece) with cross hair
- EUZ-6015** Eyepiece WF 15x/16 mm (1 piece)
- EUZ-6020** Eyepiece WF 15x/16 mm (1 piece)
- ELE-1979** LED ringlight

FLUORESCENCE ACCESSORIES

- EUZ-9745** Fluorescence filter set for Blue excitation  
EX: 460-495 nm DM 505 EM: 510 nm (LP)
- EUZ-9746** Fluorescence filter set for Green excitation  
EX: 510-550 nm DM 570 EM: 575 nm (LP)
- EUZ-9747** Fluorescence filter set for Violet excitation  
EX: 400-410 nm DM 455 EM: 460 nm (LP)
- EUZ-9748** Fluorescence filter set for UV excitation  
EX: 330-385 nm DM 410 EM: 420 nm (LP)
- EUZ-9750-FITC**  
Fluorescence filter set for FITC excitation  
EX: 460-495 nm DM 505 EM: 510-550 nm (BP)
- EUZ-9750-TRITC**  
Fluorescence filter set for Green excitation  
EX: 528-553 nm DM 565 EM: 578-633 nm (BP)
- EUZ-9749** Empty cube for fluorescence filter sets
- EUZ-9749-BF1** Empty cube for fluorescence filter sets



[www.euromex.com](http://www.euromex.com)