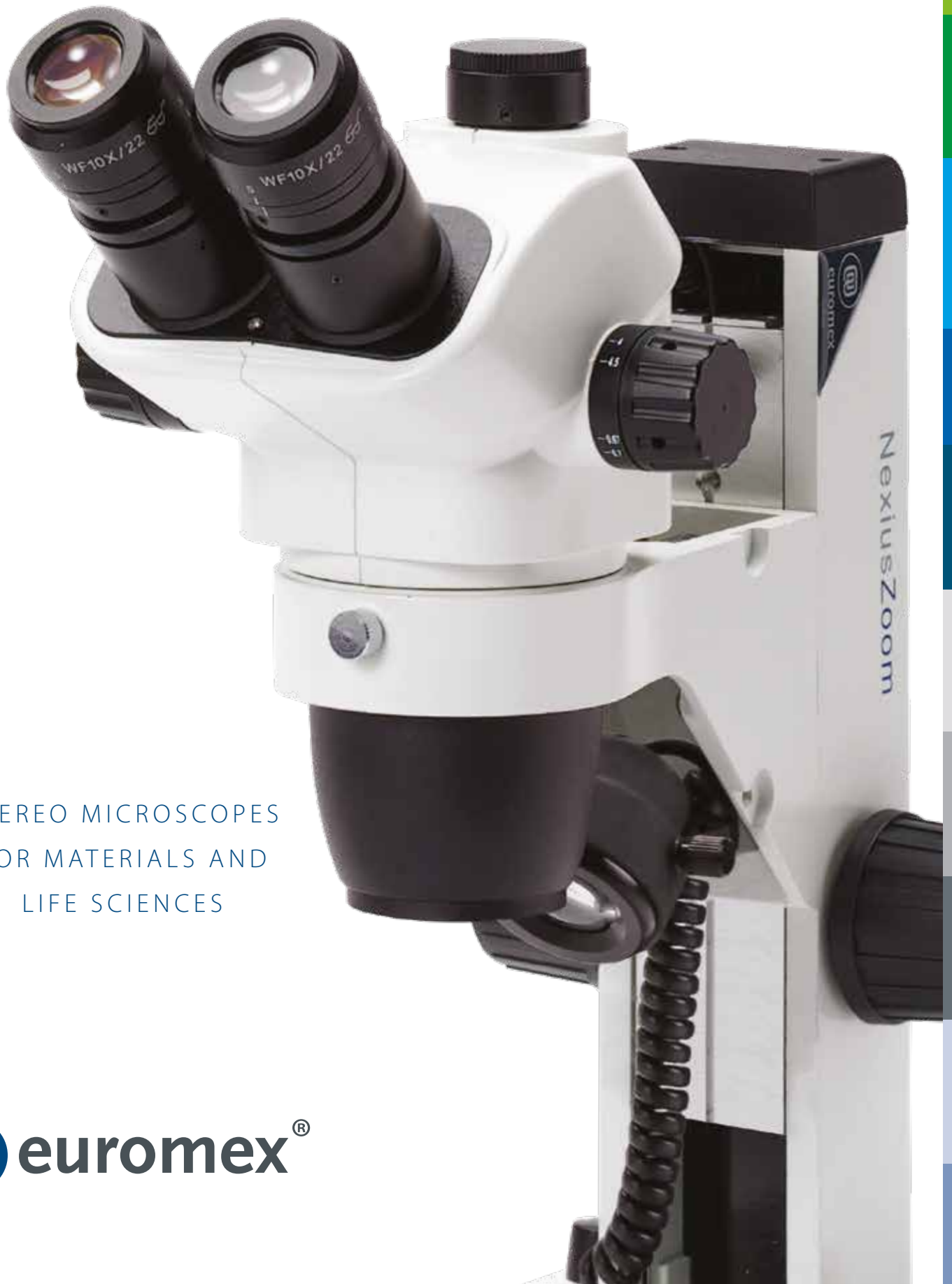


NexiusZoom

The new standard in microscopy



STEREO MICROSCOPES
FOR MATERIALS AND
LIFE SCIENCES



Top level zoom microscopes

The NexusZoom stereo microscopes from Euromex enable the observation of your specimen with highest precision possible and generate three-dimensional images for demanding microscopy applications

These top level zoom microscopes are perfect for analysing all kinds of material surfaces or to observe and prepare biological samples. Quality proven by one of Europe's leading microscope manufacturers



FEATURES

- 1 | Binocular and trinocular heads with HWF 10x/22 mm eyepieces
- 2 | Zoom ratio 1: 6.7x
- 3 | 6.7x to 45x magnification standard
- 4 | Configurations from 3.3 to 180x magnification
- 5 | 3 W LED illumination
- 6 | ESD safe versions for the electronic industry
- 7 | Long working distance
- 8 | Ergonomically designed stands
- 9 | 3 W LED illumination

OPTIONAL

- 10 | ESD safe coating

Unsurpassed images

Designed to be superior in accuracy and color reproduction, the highest possible resolution is reached with virtual no aberrations. Multilayer optical coatings ensure minimal light absorption and crisp images in every contrast method. Experience in ergonomics result in long working sessions without fatigue

Using additional lenses and objectives, magnifications from 3.3 up to 180 times can be achieved



NZ.5302 / NZ.5303

EYEPIECES

- Extended Wide Field HWF plan 10x eyepieces with 22 mm field of view and adjustable diopter on both eyepieces

HEAD

- Binocular or trinocular heads are with 45° inclined tubes
- Both eyepieces have ± 5 diopter adjustments
- The interpupillary distance is adjustable between 54 and 75 mm

OBJECTIVE

- Zoom 1:6.7 objective for 0.67x to 4.5x magnifications
- Field of view from 33 to 4.9 mm
- Working distance of 110 mm
- Additional lenses 0.5x, 0.75x, 1.5x and 2.0x are available

All optics are anti-fungus treated and anti-reflection coated for maximum light throughput



NZ.8907 / NZ.8905



*Greenough Optical System.
The newly optimised Greenough
Optical System offers more depth of
focus without compromising on low
distortion and color aberration*



NZ.1903-P-ESD

The body and stand of the microscope are coated with a special electrostatic dissipative paint eliminating harmful electrostatic discharges making the microscopes suitable for all static-sensitive environments

NexiusZoom (ESD)

Electrostatic discharge (ESD) is the unwanted sudden flow of electricity between two electrically charged objects. ESD can cause a range of harmful effects as well as permanent damage to solid state electronics components

Euromex therefore now introduces electrostatic protected microscopes in the NexiusZoom range. Special electrostatic dissipative paint eliminating harmful electrostatic discharges makes the microscopes suitable for all static-sensitive environments. Ideal for all kinds of industry, inspection and assembly applications



NZ.1903-P-ESD



NZ.1903-U-ESD

ILLUMINATION

High power 3 W transmitted and incident LED illuminators with internal power supply for 100-240 V operation. Both illuminators can be used simultaneously and the light intensities can be adjusted separately

ESD SAFE MICROSCOPES

Electrostatic protected microscopes for all kinds of industry, inspection and assembly applications

Order references:

*For electrostatic discharge (ESD) safe microscope model add **-ESD** to the reference (see page 10)*



Stands to match each application

The NexusZoom stereo microscopes are supplied with a large choice of objectives and stands.

Long working distances enable comfortable working under the microscope.

Ideal for education, laboratories and industry

The NexusZoom comes in several configurations like a pillar stand, rack & pinion stand but also a stable boom stand, which is ideal to handle large samples. Even an articulated stand for table mounting is available for which one can choose one of the Euromex LED ring light or cold light systems



NZ.1903-B double arm boom stand

NZ.9020 universal single arm stand

STANDS

The rack & pinion and pillar stands of the NexusZoom are equipped with an ergonomically designed, wide flat base. Complete with 2 object clamps and Ø 100 mm transparent and black/white stage plates and double LED illumination. The coarse adjustment is equipped with friction control

The ergonomically designed universal (single arm) and boom (double arm) stand are ideal for looking at large samples or working under the microscope. Standard supplied without illumination

Articulated arm stand with table clamp for table mounting. Standard supplied without NexusZoom head holder and illumination

Suitable for e.g. ring illuminators LE.1972 and LE.1973 with 60 or 144 power LEDs controlled in segments, ideal for creating or lift shades

The stands are alloy metal cast, hardened off-white painted

PACKAGING

Smart Styrofoam packaging ensures a low environmental footprint while maintaining maximum safety during transport. Supplied with power cord, dust cover, eye cups, a spare fuse and user manual.

YOUTUBE

Check out the product video on YouTube and learn more about this microscope
YouTube channel: **Euromex Optics Group B.V.**



NZ.9025 / NZ.9081 / NZ.5302



*Ergonomical rack and pinion
stand of the NexiusZoom*

Technical specifications

MODELS

	Binocular	Trinocular	Pillar stand	Rack & pinion stand	Universal stand	Boom stand	Articulated arm stand	Antistatic ESD	Weight (kg)
NZ.1902-P	•		•						5.0
NZ.1902-S	•			•					4.9
NZ.1902-U	•				•				15.6
NZ.1902-B	•					•			22.1
NZ.1902-A	•						•		8.6
NZ.1903-P		•	•						5.3
NZ.1903-S		•		•					5.1
NZ.1903-U		•			•				15.7
NZ.1903-B		•				•			22.2
NZ.1903-A		•					•		8.7

ESD SAFE MODELS

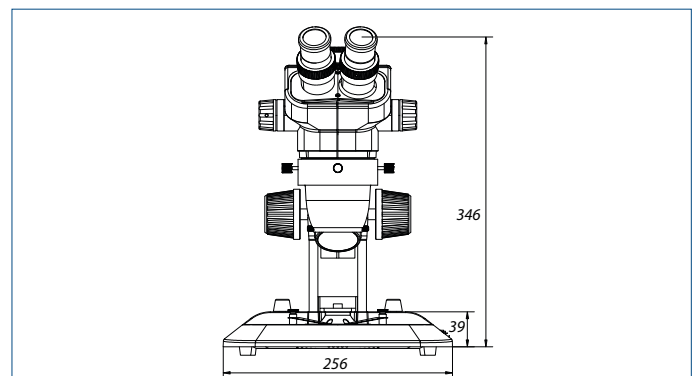
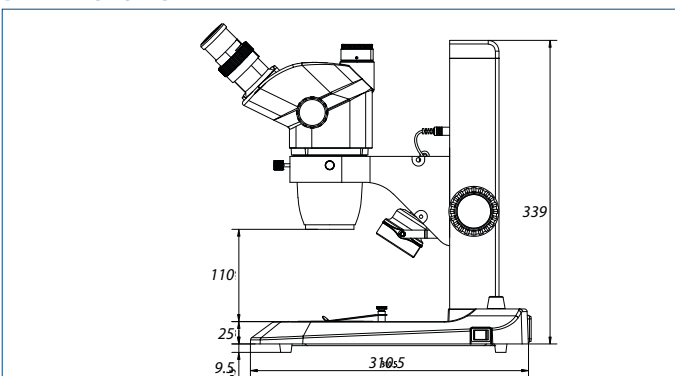
	Binocular	Trinocular	Pillar stand	Rack & pinion stand	Universal stand	Boom stand	Articulated arm stand	Antistatic ESD	Weight (kg)
NZ.1902-P-ESD	•		•					•	5.0
NZ.1902-S-ESD	•			•				•	4.9
NZ.1902-U-ESD	•				•			•	15.6
NZ.1902-B-ESD	•					•		•	22.1
NZ.1903-P-ESD		•	•					•	5.3
NZ.1903-S-ESD		•		•				•	5.1
NZ.1903-U-ESD		•			•			•	15.7
NZ.1903-B-ESD		•				•		•	22.2

MAGNIFICATIONS

Working distance (WD) and field of view with standard HWF 10x / 22 High Wide Field eyepieces

Zoom indication	Standard objective 1x WD 110 mm		Auxiliary lens 0.3x WD 287 mm		Auxiliary lens 0.5x WD 165 mm		Auxiliary lens 0.75x WD 120 mm		Auxiliary lens 1.5x WD 45 mm		Auxiliary lens 2x WD 30 mm	
	Total magnification	Field of view in mm	Total magnification	Field of view in mm	Total magnification	Field of view in mm	Total magnification	Field of view in mm	Total magnification	Field of view in mm	Total magnification	Field of view in mm
0.67	6.7	32.8	2	109.5	3.35	65.7	5.0	44.0	10.0	22.0	13.4	16.4
0.7	7.0	31.4	2.1	104.8	3.5	62.9	5.3	41.9	10.5	21.0	14.0	15.7
0.8	8.0	27.5	2.4	91.7	4.0	55.0	6.0	36.7	12.0	18.3	16.0	13.8
1.0	10.0	22.0	3	73.3	5.0	44.0	7.5	29.3	15.0	14.7	20.0	11.0
1.5	15.0	14.7	4.5	48.9	7.5	29.3	11.3	19.6	22.5	9.8	30.0	7.3
2.0	20.0	11.0	6	36.7	10.0	22.0	15.0	14.7	30.0	7.3	40.0	5.5
3.0	30.0	7.3	9	24.4	15.0	14.7	22.5	9.8	45.0	4.9	60.0	3.7
4.0	40.0	5.5	12	18.3	20.0	11.0	30.0	7.3	60.0	3.7	80.0	2.8
4.5	45.0	4.9	13.5	16.3	22.5	9.8	33.8	6.5	67.5	3.3	90.0	2.4

DIMENSIONS



Accessories and spare parts

NZ.5302	NexiusZoom binocular head with eyepieces	NZ.9833	C-mount adapter with 0.33x lens for 1/3" cameras <i>(suitable for trinocular models)</i>
NZ.5303	NexiusZoom trinocular head with eyepieces	NZ.9850	C-mount adapter with 0.5x lens for 1/2" cameras <i>(suitable for trinocular models)</i>
NZ.6010	Pair of HWF 10x / 22 mm eyepieces	AE.5130	Universal SLR camera adapter with 2x projection lens for 23.2 mm tubes. Need T2 adapter
NZ.6015	Pair of HWF 15x / 16 mm eyepieces	AE.5025	T2 adapter for Nikon D digital SLR cameras
NZ.6020	Pair of HWF 20x / 12 mm eyepieces	AE.5040	T2 adapter for Canon EOS digital SLR cameras Other T2 adapters on request
NZ.6110	HWF 10x / 22 mm eyepiece with micrometer	LE.1972	Ring illuminator with 60 LEDs with adjustable light intensity. External mains adapter 100-240 V. With segment controller. Brightness of 8.500 Lux at height of 100 mm and color temperature of 6.400K. Max. internal mounting diameter 60 mm
NZ.6099	Pair of eyecups	LE.1973	Ring illuminator with 144 LEDs with adjustable light intensity. External mains adapter 100-240 V. With segment controller. Brightness of 20.000 Lux at height of 100 mm and color temperature of 6.400K. Max. internal mounting diameter 60 mm
NZ.8903	Auxiliary lens 0.33x. Working distance 165 mm <i>(not suitable for NZ.1902-S and NZ.1903-S)</i>	AE.1112	Object micrometer 50 mm (divided in 500 parts on glass slide 76 x 26 mm)
NZ.8905	Auxiliary lens 0.5x. Working distance 165 mm <i>(not suitable for NZ.1902-S and NZ.1903-S)</i>	50.876	Dark field attachment
NZ.8907	Auxiliary lens 0.75x. Working distance 120 mm	PB.5245	Lens cleaning paper, 100 sheets per pack
NZ.8915	Auxiliary lens 1.5x. Working distance 45 mm	PB.5274	Isopropyl alcohol 99% (200 ml)
NZ.8920	Auxiliary lens 2.0x. Working distance 30 mm <i>(not suitable for NZ.1902-S and NZ.1903-S)</i>	PB.5275	Cleaning kit: lens cleaning fluid, lint free lens tissue, brush, air blower, cotton swabs
NZ.8950	Protection glass for NexiusZoom head		
NZ.9010	Ergonomic rack & pinion stand <i>(with transmitted and incident LED illuminators)</i>		
NZ.9015	Ergonomic pillar stand <i>(with transmitted and incident LED illuminators)</i>		
NZ.9020	Universal (single arm) stand <i>(without NexiusZoom head holder)</i>		
NZ.9030	Boom (double arm) stand <i>(without NexiusZoom head holder)</i>		
NZ.9090	NexiusZoom head holder <i>(for NZ.9020 and NZ.9030)</i>		
NZ.9025	Articulated arm stand with table clamp <i>(without NexiusZoom head holder)</i>		
NZ.9081	NexiusZoom head holder <i>(for articulated arm stand NZ.9025)</i>		
AE.5168-NZ	Heating stage with PID controller up to 50°C		
NZ.9505	Mechanical 180 x 155mm X-Y stage with 76 x 55mm translation stage and transparent glass plate, fixed on stage of microscope. <i>(Only available with new microscopes)</i>		
NZ.9950	Standard opaque stage plate		
NZ.9956	Black/white stage plate		
NZ.9570	Pair of object clamps for stage		

v. 631421



The Euromex Quality system is certified according to ISO 9001:2008 and supports our pursuit of continuous improvement and our on-going commitment to provide our world-wide customers

HEADQUARTERS

Euromex Microscopen bv

Papenkamp 20
6836 BD Arnhem
The Netherlands
Tel: +31 (0) 26 323 22 11
info@euromex.com

SALES EXPORT OFFICE

Euromex Microscopen Spain sl

Carretera de Barcelona 88, Entresuelo
Edificio Technomar
08302 Mataró, Spain
Tel: +34 (0) 937 415 609
info@euromex.com

www.euromex.com