

# HD Mini color camera

with HDMI interface

VC.3023

## HIGHLIGHTS

- High definition 1080P color camera
- Real time images directly on TV, monitor or beamer
- Stand-alone
- Built-in mouse controlled software
- C-mount interface
- HDMI and SD memory card

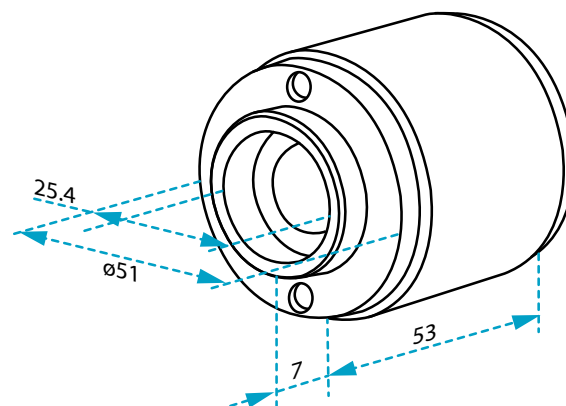


VC.3023



## TECHNICAL SPECIFICATIONS

<b>Sensor</b>	HDMI 2.0 Mega pixels CMOS high sensitive sensor (Sony)
<b>Format</b>	1/2.8 inch, HDTV 1080p
<b>Pixels</b>	1920 x 1080 pixels (capture mode) 1920 x 1080 pixels (live mode) HDMI 60 fps (Frame rates have been determined at optimal conditions)
<b>Scan mode</b>	Progressive scan
<b>Pixel size</b>	2.9 x 2.9 $\mu$ m
<b>Noise</b>	3D algorithm
<b>Sensitivity</b>	1300 mv/lux-sec
<b>Color rendering</b>	12 Bits
<b>Signal/Noise (db)</b>	42
<b>Dynamic (db)</b>	69
<b>White balance</b>	Automatic/manual/ROI
<b>Interface</b>	HDMI
<b>Storage</b>	Images are saved to a standard high speed 32 GB SD memory card (Recommend using SD card of class 4 or higher and $\leq$ 128 GB)
<b>Mounting</b>	C-mount interface
<b>Power supply</b>	DC 12V/ 1A adapter
<b>Operation</b>	-10~ 50 Celsius, 30~80%RH
<b>Storage</b>	-20~ 60 Celsius, 10~60%RH
<b>Supplied with</b>	HDMI cable, DC 12V/ 1A power supply, 32 GB SD Card, USB mouse, 0.37x c-mount adapter, 23.2~30.0/ 30.5mm adapter rings



### ON SCREEN CONTROLS (NO NEED FOR COMPUTER)

- Capture images and video to SD
- Digital zoom in/out
- Mirror/Flip
- Freeze
- Cross line
- Embedded file browser
- Video playback
- Multiple language support
- Measurement
- Camera settings (white balance, color control etc)

**Compatibility** Suitable for all HDMI screens, monitors and beamers

**Product number** VC.3023

Suitable for all Euromex microscopes and most Zeiss, Leica, Olympus and Nikon models. See our adapters on our website



MODELS	Sensor	Pixel size ( $\mu$ m)	Resolution	Signal/Noise (db)	Sensitivity	Color rendering (bits)	Dynamic (db)	13 HD screen
VC.3023	1/2.8 inch	2.9 x 2.9 $\mu$ m	1920 x 1080	42	1300 mv/lux-sec	12	69	--
VC.3024-HDS	1/2.8 inch	2.9 x 2.9 $\mu$ m	1920 x 1080	42	1300 mv/lux-sec	12	69	.



www.euromex.com