

Oxion

for life science

HIGHLIGHTS

- HWF 10x/22 mm eyepieces
- Binocular and trinocular models
- Optional tilting head
- Reversed nosepiece for 5 objectives
- Semi plan and plan IOS objectives
- 150 x 140 mm stage
- Optional ceramic stage
- 3 W LED illumination
- Ergonomic stand and head
- 10 years warranty



OX.3035 ●

TECHNICAL SPECIFICATIONS

EYEPIECES

- HWF 10X/22 mm eyepieces with $\pm 5^\circ$ diopter adjustments on both eyepieces
- All eyepieces can be secured with an Allen screw

HEAD

- Binocular and trinocular Siedentopf type heads with 30° inclined tubes
- Interpupillary distance from 50 to 75 mm
- A unique rotating system allows an ergonomic positioning of both tubes in an upper (431 mm) and in a lower position (397 mm)
- Ergonomic tilting head available

NOSEPIECE

Reversed nosepiece for a maximum of five objectives on ball bearings

OBJECTIVES – IOS INFINITY CORRECTED SYSTEM

- Semi plan 4x/0.10, 10x/0.25, S40x/0.65 and S100x/1.25 oil immersion IOS objectives
- Plan 4x/0.10, 10x/0.25, S40x/0.65 and S100x/1.25 oil immersion IOS objectives standard, optional 20x/0.40 and S60x/0.85 objectives
- Plan phase contrast S40x/0.65 and S100x/1.25 oil immersion IOS objectives
- Plan semi apochromatic Fluorex 10x/0.25, S40x/0.65 and S100x/1.25 oil immersion IOS objectives standard, optional 20x/0.50 objectives

As an option available: plan 20x/0.40 infinity corrected IOS objective and plan S60x/0.85 infinity corrected IOS objective

All S40x, S60x and S100x oil immersion objectives are spring loaded

All optics have an anti-reflection coating for maximum light throughput and are anti-fungus treated

OX.3030 TO OX.3065

397 (h) x 185 (w) x 294 (d) | 7.5 kg

STAGE

Equipped with double slide holder

- 150 x 140 mm stage with integrated X-Y mechanical stage
- A ceramic stage is also available on request
- The Oxion can be supplied with a heating stage with PID temperature controller which can be set up to 50° Celsius (Only available for new microscopes)



● AE.5168-O



Ergohead - OX.9504 ●

CONDENSER FOR BRIGHTFIELD

- Height adjustable Abbe condenser N.A. 1.25 with iris diaphragm
- A darkfield stop in slider can be inserted in the condenser for darkfield contrast up to 400x magnification (optional)

FOCUSING

- Coaxial coarse and fine adjustments, 200 graduations, 1 μm per graduation, 200 μm per rotation, total travel approximately 28 mm
- Supplied with an adjustable rack stop to prevent damage to sample and objectives
- The coarse adjustments are equipped with friction control

ILLUMINATION FOR BRIGHTFIELD



- All models are supplied with a 3 W adjustable NeoLED™ illumination with integrated 100-240 V power supply
- Köhler illumination with field diaphragm

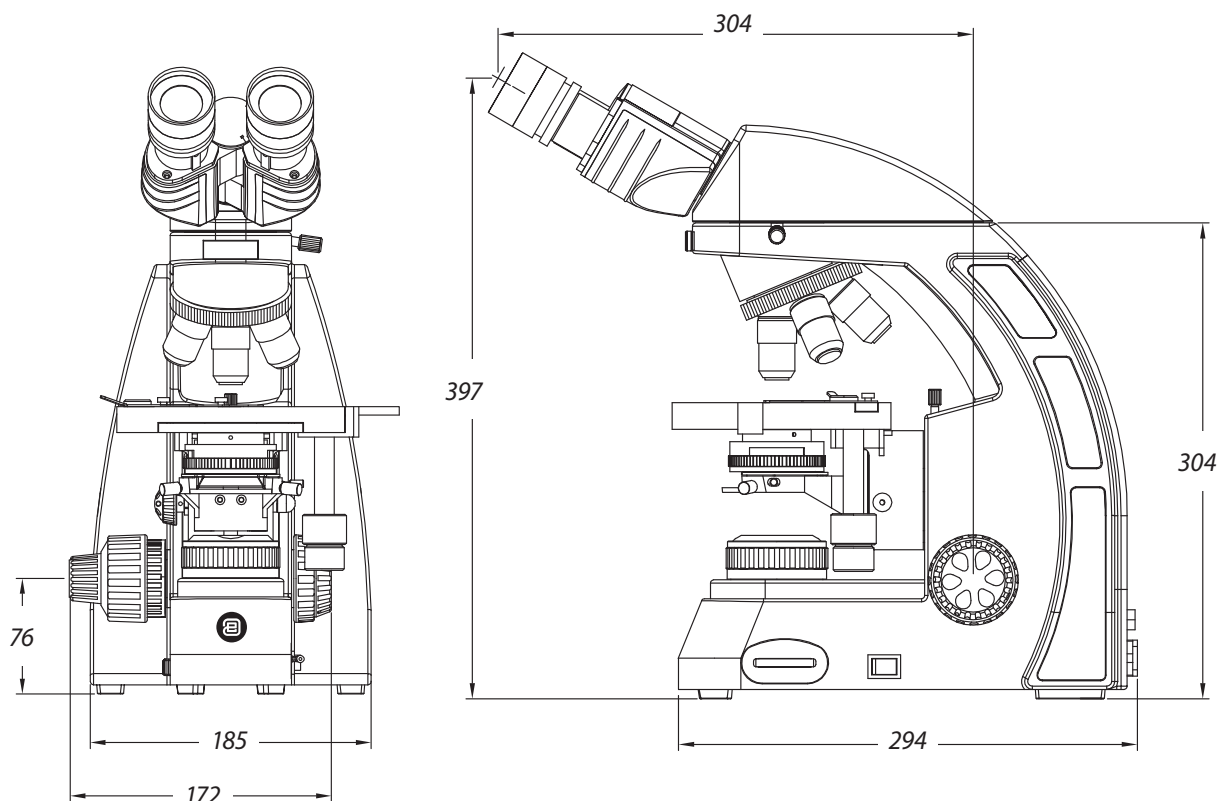
PACKAGE CONTENT

- Supplied with power cord, dust cover, a spare fuse, user manual and 5 ml immersion oil for models with a S100x objective
- All packed in a polystyrene box



OX.3065 ●

MODELS	Binocular	Trinocular	Plan 4x/10x/540 IOS objectives	Plan S100x oil objective	Plan semi apo Fluarex 4x/10x/540x objectives	Plan semi apo S100x oil IOS objective
OX.3030	•		•	•		
OX.3035		•	•	•		
OX.3065		•			•	•



ACCESSORIES AND SPARE PARTS

EYEPIECES

- AE.3210** HWF10x/22mm eyepiece
- AE.3215** HWF15x/13mm eyepiece
- AE.3223** HWF10x/22mm eyepiece with 10mm/100 micrometer
- AE.3225** Pair of eyecups

OBJECTIVES

- AE.3160** Semi plan 4x/0.10 infinity corrected IOS objective. WD 15 mm
- AE.3162** Semi plan 10x/0.25 infinity corrected IOS objective. WD 15 mm
- AE.3166** Semi plan S40x/0.65 infinity corrected IOS objective. WD 0.42 mm
- AE.3168** Semi plan S60x/0.85 infinity corrected IOS objective
- AE.3102** Plan 2x/0.06 infinity corrected IOS objective. WD 4.1 mm
- AE.3104** Plan 4x/0.10 infinity corrected IOS objective. WD 11.9 mm
- AE.3106** Plan 10x/0.25 infinity corrected IOS objective. WD 12.1 mm
- AE.3108** Plan 20x/0.40 infinity corrected IOS objective. WD 1.5 mm
- AE.3110** Plan S40x/0.65 infinity corrected IOS objective. WD 0.36 mm
- AE.3114** Plan S100x/1.25 oil immersion infinity corrected IOS objective. WD 0.18 mm

- AE.3146** Plan semi apochromatic Fluarex 10x/0.30 infinity corrected IOS objective. WD 10.6 mm
- AE.3148** Plan semi apochromatic Fluarex 20x/0.50 infinity corrected IOS objective. WD 2.33 mm
- AE.3152** Plan semi apochromatic Fluarex S40x/0.75 infinity corrected IOS objective. WD 0.6 mm
- AE.3156** Plan semi apochromatic Fluarex S100x/1.28 oil immersion infinity corrected IOS objective. WD 0.21 mm
- AE.3130** Plan phase S40x/0.65 infinity corrected IOS objective. WD 0.36 mm
- AE.3134** Plan phase S100x/1.25 oil immersion infinity corrected IOS objective. WD 0.18 mm

WD = Working distance

PHASE CONTRAST ATTACHMENTS

- AE.3180** Telescope for alignment of phase contrast rings
- AE.3187** Slider with phase rings for 10x and S40x plan phase contrast objectives
- AE.3189** Slider with phase rings for 20x and S100x oil plan phase contrast objectives

POLARIZATION ATTACHMENTS

- AE.3190** Polarizer/Analyzer set
- AE.3192** Polarizer slider for nosepiece
- AE.3194** Polarizer for lamp house

FILTERS

- AE.3196** Frosted filter 45 mm, sits on lamp house
- AE.3198** Blue filter 45 mm, sits on lamp house
- AE.3200** Yellow filter 45 mm, sits on lamp house
- AE.3202** Green filter 45 mm, sits on lamp house

CAMERA ACCESSORIES

- AE.5120** Standard 23,2 mm tube for 18 mm diameter photo port (revision 1). (This includes an interface to upgrade the existing photo port from a 18 mm to a 31 mm photo port)
- AE.5120-2** Standard 23,2 mm tube for 31 mm diameter photo port (revision 2) and for all Oxion Inverso inverted microscopes
- AE.5130** Universal SLR camera adapter for 23.2 mm tubus with built-in 2x magnification lens. Needs T2 adapter and OX.5120
- AE.5025** T2 adapter for Nikon D digital SLR cameras
- AE.5040** T2 adapter for Canon EOS digital SLR cameras

MISCELLANEOUS

- AE.3197** Ceramic stage Add-on (replacing original stage)
- OX.9504** Ergonomical head for Oxion
- OX.9810** CS/C mount with 1.0x objective
- OX.9833** C-mount adapter with 0.33x objective for Oxion microscopes and 1/3" cameras
- OX.9850** C-mount adapter with 0.5x objective for Oxion and Oxion Inverso microscopes and 1/2" cameras
- AE.5168-O** Heating stage and temperature controller up to 50°C. Only supplied with new purchased microscopes
- SL.5511** LED replacement for Oxion
- AE.3199** Glass fuses 3.15 A 250 V, 10 pieces
- OX.3010** Aluminum transport case with flight case locks
- OX.3011** Aluminum transport case with classical locks

DISPOSABLES

- PB.5155** Microscope slides 76 x 26 mm, ground edges, 50 pieces
- PB.5165** Cover glasses 18 x 18 mm, thickness 0.13-0.17 mm, 100 pieces
- PB.5168** Cover glasses 22 x 22 mm, thickness 0.13-0.17 mm, 100 pieces
- PB.5245** Lens cleaning paper, 100 sheets per pack
- PB.5255** Immersion oil, n = 1.515 (25 ml)
- PB.5274** Isopropyl alcohol 99% (200 ml)
- PB.5275** Cleaning kit: lens cleaning fluid, lint free lens tissue, brush, air blower, cotton swabs



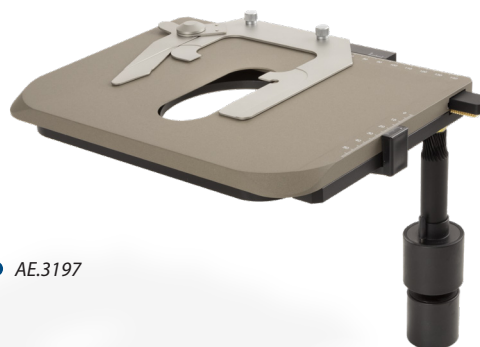
● AE.3180



● AE.3187



● AE.3189



● AE.3197